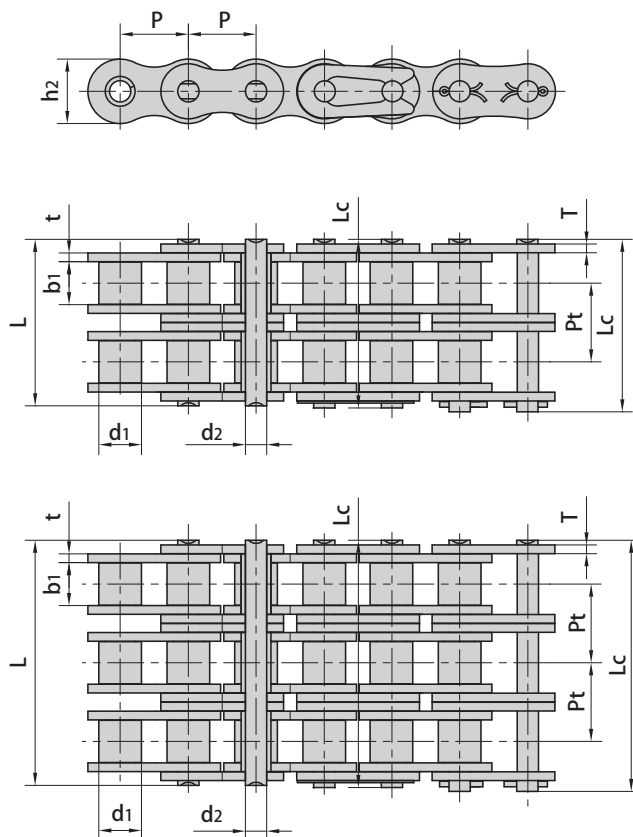
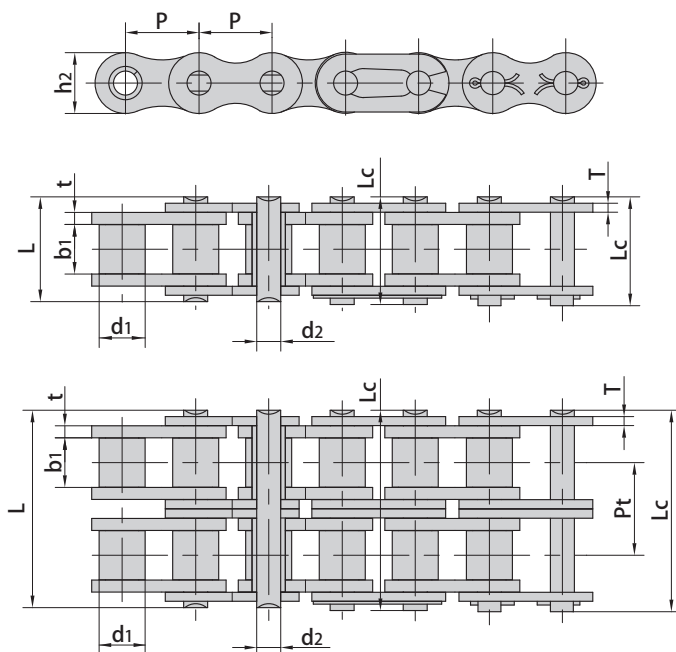


Driving chains

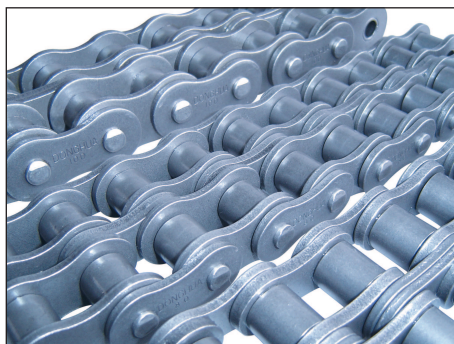


Donghua Chain No.	Pitch	Roller diameter	Width between inner plates	Pin diameter	Pin length		Inner plate depth	Plate thickness	Transverse pitch	Ultimate tensile strength	Average tensile strength	Weight per meter
	P mm	d1 max mm	b1 min mm	d2 max mm	L max mm	Lc max mm	h2 max mm	t/T max mm	Pt mm	Q min kN/lbf	Q0 kN	q kg/m
20A-2	31.75	19.05	18.90	9.53	76.4	80.5	30.00	4.00	35.76	177.00/39791	219.4	7.80
20AFT-2	31.75	19.05	18.90	9.53	76.4	80.5	30.10	4.00	35.76	211.68/47587	262.5	8.09
20A-3	31.75	19.05	18.90	9.53	112.2	116.3	30.00	4.00	35.76	265.5/59686	309.6	11.77
20AFT-3	31.75	19.05	18.90	9.53	112.2	116.3	30.10	4.00	35.76	330/74186	395.0	12.10
24A-2	38.10	22.23	25.22	11.10	95.8	99.7	35.70	4.80	45.44	254.00/57101	314.9	11.70
20B-3	31.75	19.05	19.56	10.19	114.2	117.9	26.40	4.50/3.50	36.45	250/56202	290.0	10.82
24B-2	38.10	25.40	25.40	14.63	101.7	106.2	33.20	4.50/3.50	48.36	280.0/62946	319.2	13.40
100SLR-2	31.75	19.05	18.90	9.53	76.4	80.5	30.00	4.00	35.76	173.4/39399	190.0	7.89
16BSLR-2	25.40	15.88	17.02	8.28	68.0	69.3	21.00	4.15/3.10	31.88	106.0/23829	133.0	5.42

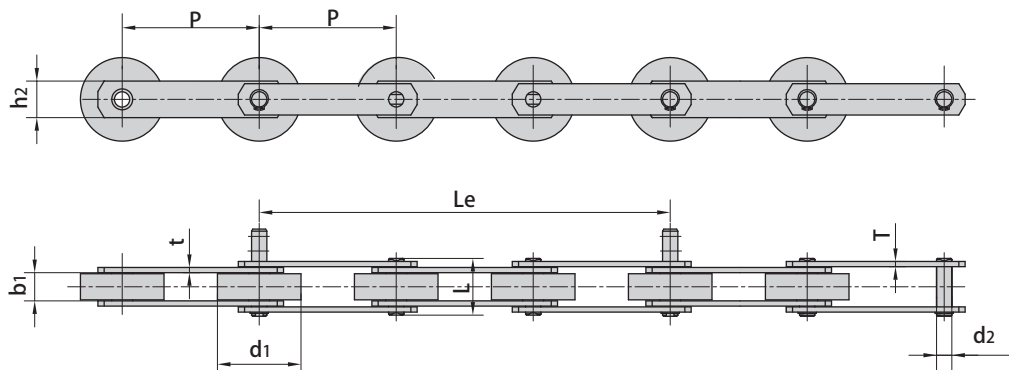
Handrail driving chains



Donghua Chain No.	Pitch	Roller diameter	Width between inner plates	Pin diameter	Pin length		Inner plate depth	Plate thickness	Transverse pitch	Ultimate tensile strength	Average tensile strength	Weight per meter
	P mm	d_1 max mm	b_1 min mm	d_2 max mm	L max mm	L_c max mm	h_2 max mm	t/T max mm	P_t mm	Q min kN/lbf	Q_0 kg	q kg/m
16A-2	25.40	15.88	15.75	7.92	62.7	64.3	24.00	3.25	29.29	113.40/25493	141.8	5.15
16AFT-2	25.40	15.88	15.75	7.92	62.7	65.8	24.00	3.25	29.29	132.3/29742	165.4	5.51
16B-1	25.40	15.88	17.02	8.28	36.1	37.4	21.00	4.15/3.10	-	60.0/13488	72.8	2.71
16B-2	25.40	15.88	17.02	8.28	68.0	69.3	21.00	4.15/3.10	31.88	106.0/23829	133.0	5.42

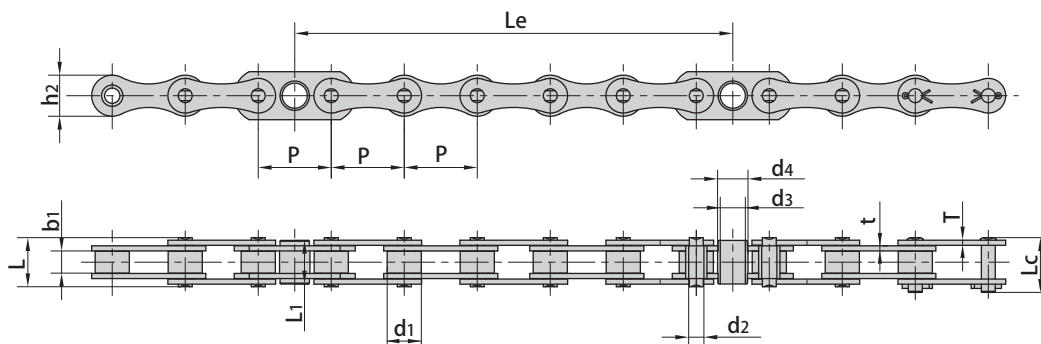


Escalator step chains

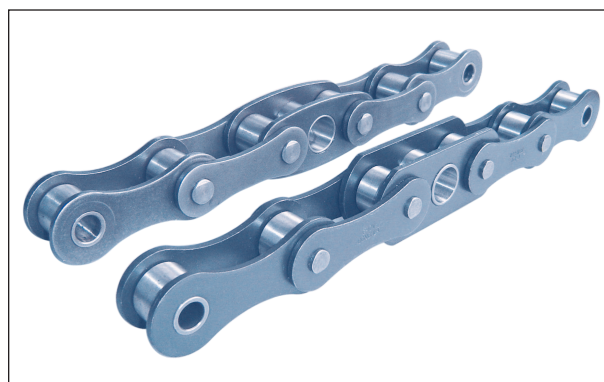


Donghua Chain No.	Pitch	Roller diameter	Width between inner plates	Pin diameter	Pin length	Inner plate depth	Plate thickness	Distance between steps (three pitches)	Ultimate tensile strength	Average tensile strength	Weight per step
	P	d ₁	b ₁	d ₂	L _{max}	h ₂	t/T	Le	Q _{min}	Q ₀	q
	mm	mm	mm	mm	mm	mm	mm	mm	kN/lbf	kN	kg
ST131	131.33	80.00	27.0	24.00	54.5	50.0	5.0	394.00	180.0/40465	198.0	3.700
T131	131.33	80.00	27.0	14.63	54.5	50.0	5.0	394.00	180.0/40465	198.0	2.480
JJT131	131.33	80.00	27.0	14.63	56.5	35.0	5.0	394.00	123.0/27651	150.0	2.310
ST133	133.33	70.00	27.0	14.63	55.0	40.0	5.0	400.00	180.0/40465	198.0	2.450
JJT133	133.33	70.00	27.0	14.63	56.5	35.0	5.0	400.00	127.4/28640	140.1	2.380
ST133F1	133.33	80.00	27.0	24.00	54.5	50.0	5.0	400.00	180.0/40465	198.0	3.530
ST133F3	133.33	75.00	25.4	14.63	54.2	35.0	5.0	400.00	123.0/27651	135.3	2.160
ST133F4	133.33	76.00	27.0	14.63	55.0	40.0	5.0	400.00	180.0/40465	198.0	2.500
ST133F5	133.33	39.37	33.7	22.00	70.0	60.0	7.0/6.0	400.00	350.0/78683	385.0	4.776
ST133F6	133.33	39.37	33.7	16.00	65.0	50.0	5.0	400.00	170.0/38217	187.0	3.360
JJT131F1	131.33	76.20	23.6	12.70	52.0	35.0	5.0	394.00	90.0/20232	99.0	2.050
JJT131F2	131.33	76.20	23.6	12.70	52.0	35.0	5.0	394.00	90.0/20232	99.0	2.050
JJT131F3	131.33	76.20	23.6	15.00	52.0	35.0	5.0	394.00	123.0/27651	135.3	2.200
JJT131F4	131.33	76.20	23.6	15.00	52.0	35.0	5.0	394.00	123.0/27651	135.3	2.200
ST135F2	135.47	76.20	23.6	12.7/15.0	54.2	35.0	5.0	406.40	90/20232	99.0	2.050

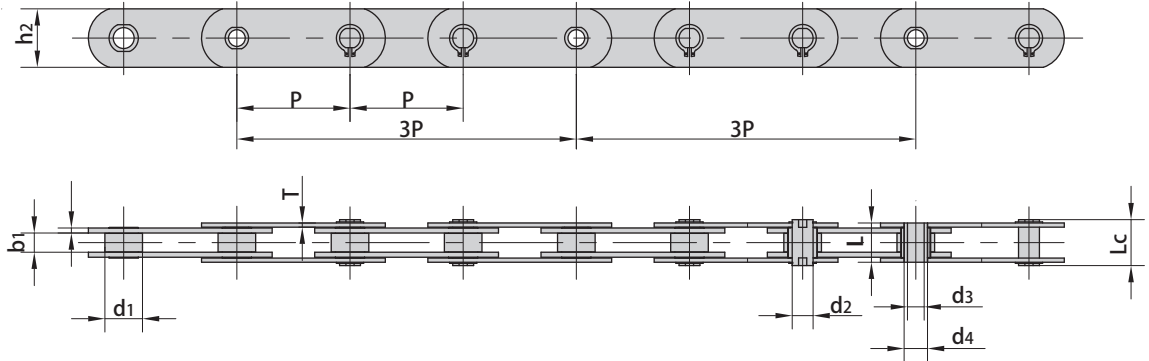
Escalator step chains



Donghua Chain No.	Pitch	Roller diameter	Width between inner plates	Pin diameter	Pin length		Bush diameter		Plate dimension		Distance between steps	Ultimate tensile strength	Average tensile strength	Weight per step	
	P	d1 max	b1	d2	L max	Lc max	d3	d4	L1 max	h2 max	t/T	Le	Q min kN/lbf	Q0 kN	q kg
	mm	mm	mm	mm	mm	mm	mm	mm	mm	mm	mm	mm			
C-13T	68.40	32.0	20.6	14.29	45.0	50.85	23.5	28.5	40.85	38.5	4.8	410.4	127.4/28640	140.0	2.30
P67-FD	67.73	28.5	27.0	14.29	52.3	57.00	23.0	27.0	36.85	38.0	4.8	406.4	130.0/299225	140.0	2.19
C-16V	68.40	28.0	29.6	14.29	53.9	59.60	22.0	26.0	29.35	39.6	4.8	410.4	161.7/36351	178.0	2.38
C-12V	68.40	28.0	20.7	12.70	41.9	47.40	21.0	26.0	30.50	39.6	4.0	410.4	140.0/31473	154.0	1.82
C-8V	68.40	28.0	20.7	12.70	41.9	47.40	21.0	26.0	30.50	39.6	4.0	410.4	100.0/224809	110.0	1.82
ST67HF2	67.73	28.5	27.0	14.63	52.7	57.00	23.0	27.0	36.85	40.0	4.8/5.5	406.4	186.2/41859	204.0	2.31
ST67HF1	67.73	28.5	27.0	14.63	52.7	57.00	23.0	27.0	36.85	40.0	4.8/5.5	406.4	160.0/35969	176.0	2.31

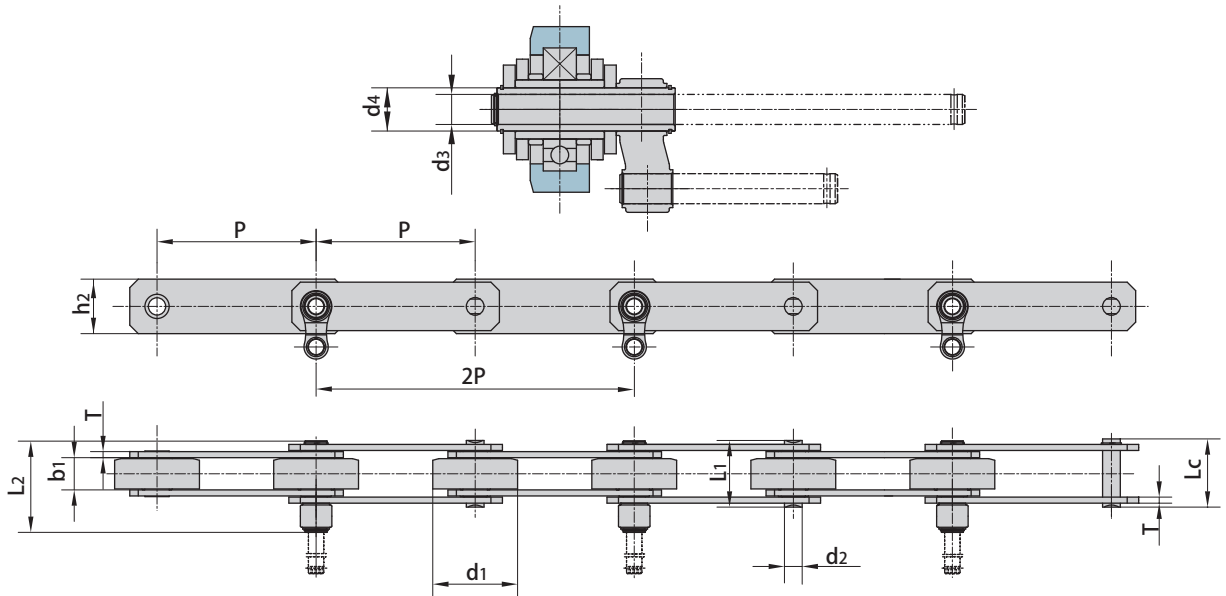


Escalator step chains



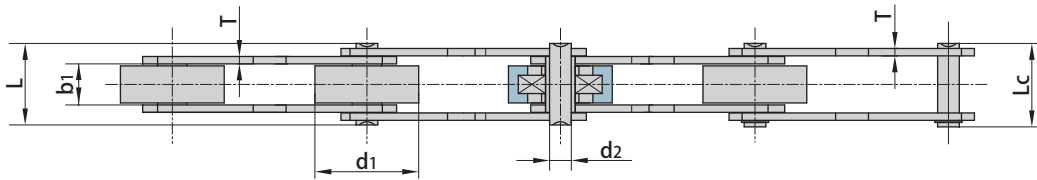
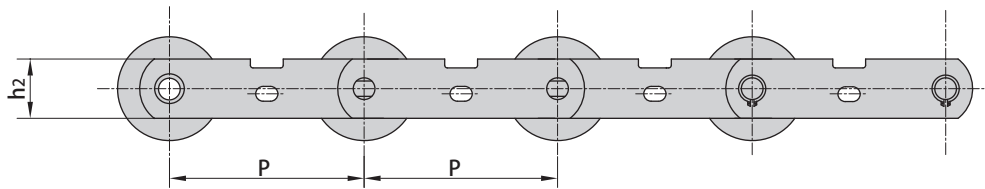
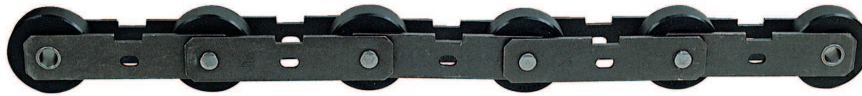
Donghua Chain No.	Pitch	Roller diameter	Width between inner plates	Pin diameter	(Hollow) Pin diameter		Pin length		Plate dimension		Ultimate tensile strength	Average tensile strength	Weight per step
	P mm	d1 max mm	b1 min mm	d2 max mm	d3 min mm	d4 max mm	L max mm	Lc max mm	h2 mm	t/T max mm	Q min kN/lbf	Q0 kN	q kg
PT135HP	135.46	45.0	23.0	25.0	20.0	28.0	47.1	55.1	70	6.0/5.0	250/56202	275.0	4.5

Moving walkway escalator chains



Donghua Chain No.	Pitch	Roller diameter	Width between inner plates	Pin diameter	(Hollow) Pin diameter		Pin length			Plate dimension		Ultimate tensile strength	Average tensile strength	Weight per step
	P	d1	b1	d2	d3	d4	L1	L2	Lc	h2	T	Q	Q0	q
	mm	mm	mm	mm	mm	mm	mm	mm	mm	mm	mm	kN/lbf	kN	kg
PT131HP	131.33	70.0	27.0	14.63	12.7	18.26	55.0	75.3	56.0	40.0	5.0	150.0/33721	165.0	7.53
PT135HPF1	135.46	76.2	24.0	12.70	14.1	20.00	51.3	68.1	-	40.0	5.0	127.0/28550	140.0	-

Moving walkway escalator chains



Donghua Chain No.	Pitch	Roller diameter	Width between inner plates	Pin diameter	Pin length		Inner plate depth	Plate thickness	Ultimate tensile strength	Average tensile strength	Weight per meter
	P	d1 max	b1 min	d2 max	L max	Lc max	h2	T max	Q min	Q0	q
	mm	mm	mm	mm	mm	mm	mm	mm	kN/lbf	kN	kg/m
PT131	131.33	70.00	27.00	14.63	55.0	56.0	40.0	5.0	180.0/40465	198.0	5.97
PT133	133.33	70.00	27.00	14.63	55.0	56.0	40.0	5.0	180.0/40465	198.0	5.75

